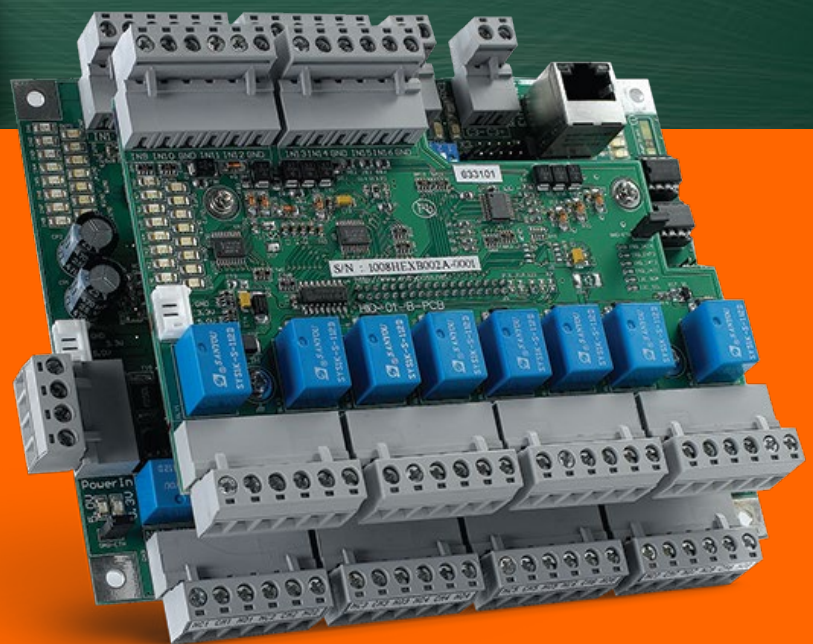
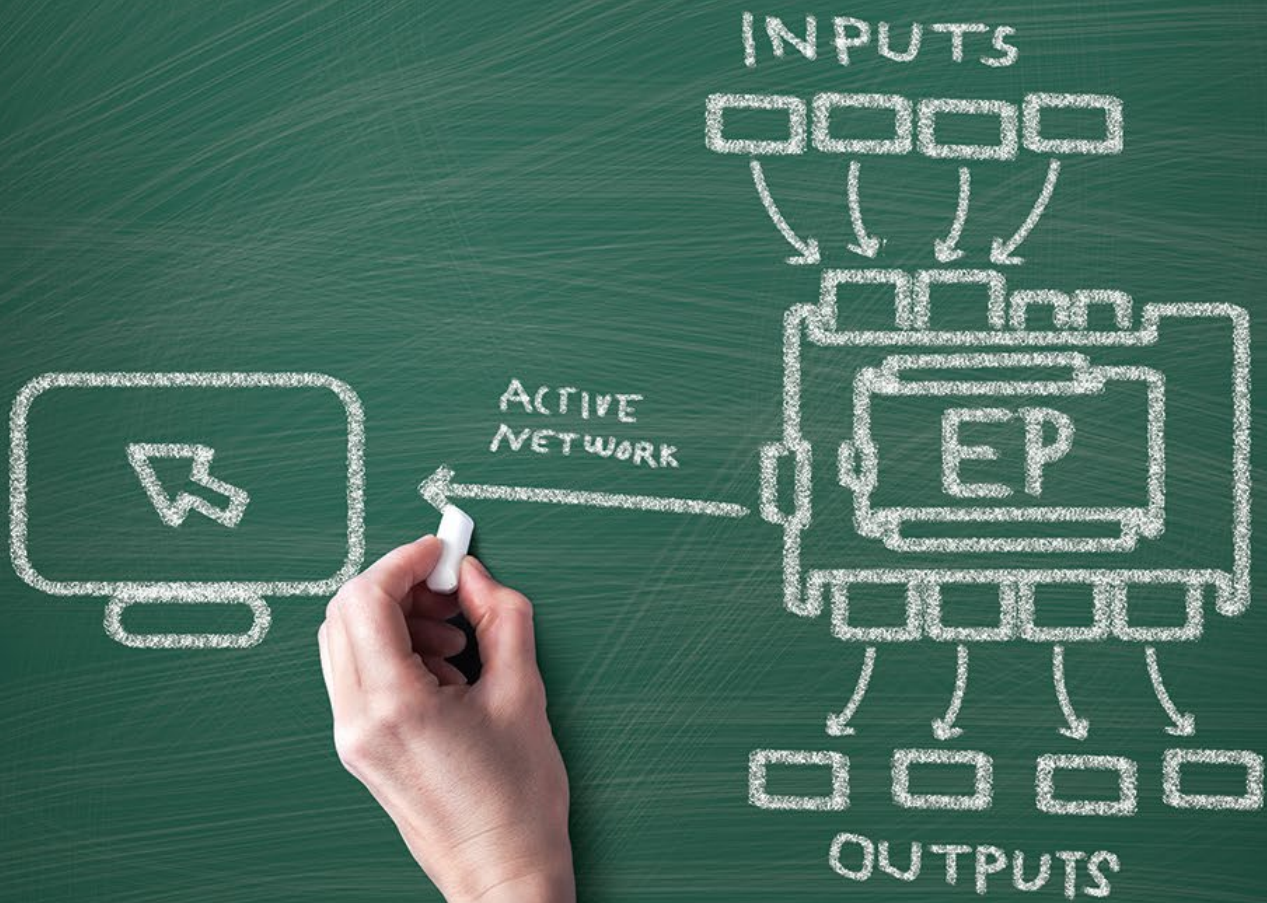


# HIO

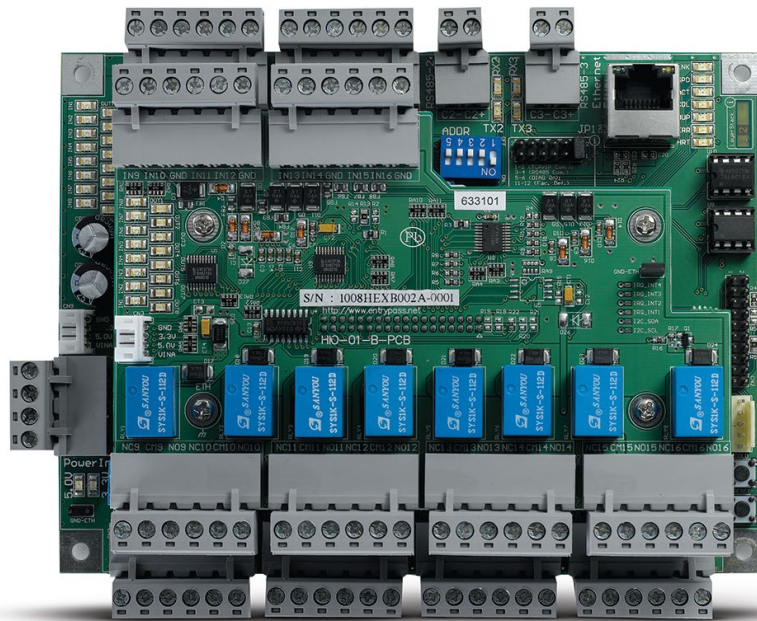
Hybrid Input / Output Control Panel



Entrypass Hybrid Input/Output control panels enable you to design alarm monitoring floor-by-floor and elevator destination control system, letting you customize the access level of individuals card holder depending on your regulated structure with the power to control accessibility from 8 floors to 136 floors.

What's more? you can choose to utilize the Entrypass hybrid input/output control panel that comes with both serial and active network communication interface to cater for any installation requirement.

# HIO Hybrid Input / Output Control Panel



## ACTIVE TRANSMIT

Rather than keeping events data in the memory awaiting for host-PC to poll, HIO actively transmits the real-time event data to the host server as it happens, meaning events transaction gets delivered and can be act upon faster. (Only when the HIO is polled via TCP/IP protocol)



## BUILT IN WEB SERVER

HIO is built-in with web server where network configuration such as IP address, subnet mask, server IP and etc can be easily done upon web browser login. No more factory programming needed as the firmware can be upgraded via the on-board web server.



## WIZARD INSTALLATION

Our system provides Wizard Menu guidance function for first time installation. It is absolutely hassle free method as it will provide user step by step installation.

---

## Feature Highlight

---

Support up to maximum of 16 inputs & 16 outputs

Support dual mode communication (Modbus Serial & Modbus TCP/IP)

Support both open and close trigger devices

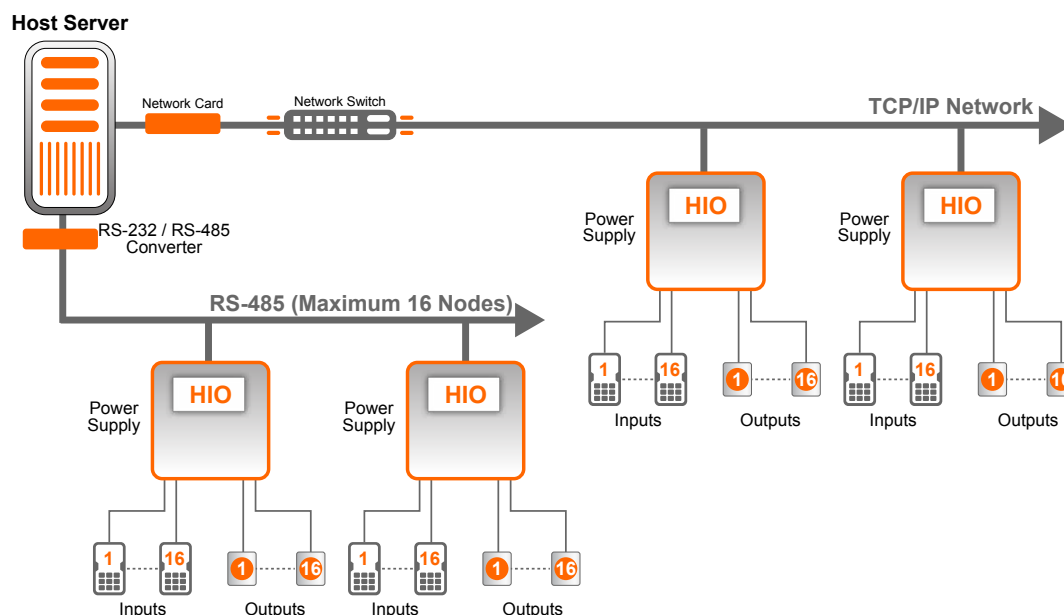
Support One-To-Many / Many-To-One / Many-To-Many configuration

Support both toggle and alarm mode monitoring function

Support various applications (Alarm / Elevator )

# HIO Hybrid Input / Output Control Panel

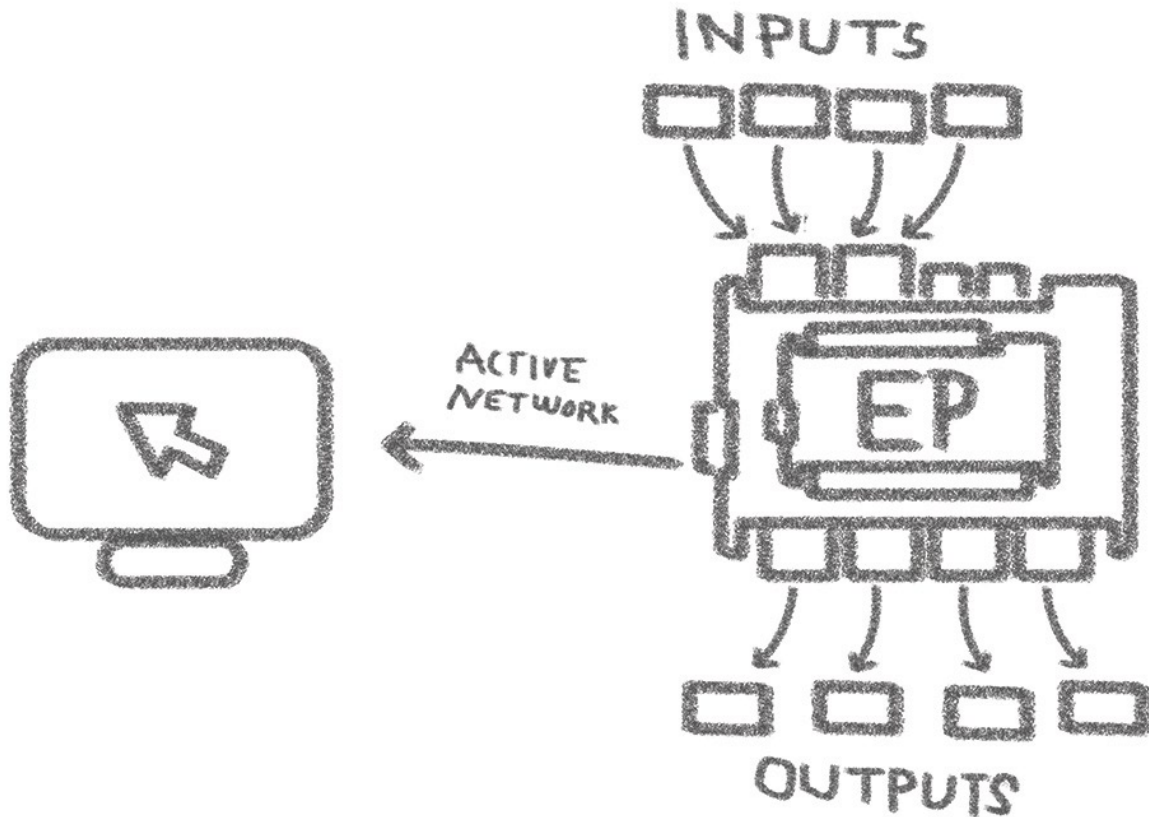
## Basic System Diagram



## Technical Specification

| Hardware                   | Description   |
|----------------------------|---|
| Dimension                  | 161mm (W) x 120mm (H)   |
| MCU                        | 32bits @ 60MHz  |
| Memory                     | 256K Flash Memory<br>32K SRAM (Buffer)<br>32Mbits Non-Volatile SPI Flash Memory (Storage) |
| Operating Temperature      | 0 °C to 65 °C   |
| Digital Input              | 8 - Expandable to 16 with EP.HIO.EXP  |
| Digital Output             | 8 - Expandable to 16 with EP.HIO.EXP  |
| Serial Communication Port  | RS232/RS485 User Configurable   |
| Network Communication Port | RJ-45 Self-Negotiate 10/100mbps   |
| Communication Protocol     | Modbus Serial<br>Modbus TCP/IP  |
| Power Protection           | Resettable Fuse - 2.5A  |
| Surge Protection (Comm/DI) | TVS - Up to 15KVA   |
| Onboard LED Control        | Power / Communication / LAN / Event   |
| Trigger Mode               | Open Trigger<br>Short Trigger   |
| Function Mode              | Toggle Mode<br>Alarm Mode   |
| Timezone Control           | Yes   |
| Dimension                  | EP.HIO.PSU 289mm (w) x 309mm (L) x 85mm (H)<br>EP.HIO.PCB 161mm (w) x 12mm (L)            |

# HIO Hybrid Input / Output Control Panel



## Ordering Information

- EP.HIO.PCB                    EntryPass Hybrid Input Output Control Panel Only  
EP.HIO.PSU                    EntryPass Hybrid Input Output Control Panel with power supply unit  
EP.HIO.EXP                    EntryPass Hybrid Input Output Control Panel Expansion Board - Additional 8 Inputs/Outputs



[www.entrypass.net](http://www.entrypass.net)

### Malaysia

No. 40, Jalan TPP 1/10, Taman Industri Puchong, Batu 12 Jalan Puchong, 47160 Puchong Selangor Darul Ehsan, Malaysia.  
Tel : +603 8068 1929  
Fax : +603 8062 6937  
Email : [info@entrypass.net](mailto:info@entrypass.net)

### Singapore

No. 1, UBI View, #03-03, Focus ONE Building, Singapore 408555.  
Tel : +65- 6841 7242  
Fax : +65- 6841 3937  
Email : [info@entrypass.net](mailto:info@entrypass.net)

### Indonesia

Rukun Puri Mutiara, Block BF No.17, Jln Griya Utama, Sunter Agung, Jakarta Utara, 14350, Indonesia.  
Tel : +62 21 2937 6098  
Email : [indonesia@entrypass.net](mailto:indonesia@entrypass.net)