

BA3028 (V2) WIRING & PROGRAMMING Guide

Version: 1.02

Last Updated: 29-05-2017



BEFORE YOU BEGIN

Technical Support

If you cannot find the answer to your question in this manual or in the Help files, we recommend you contact your system installer. Your installer is familiar with your system configuration and should be able to answer any of your questions.

Should you need additional information, please call our Technical Support Help desk, Monday to Friday 9:00 AM to 6:00 PM (GMT +8:00)

Method Details

Phone + 60 (3) - 8068 1929

Fax + 60 (3) - 8068 1922

Internet www.entrypass.net

Email support@entrypass.net



Considerations Prior to Installation

Preparing Your EntryPass Controllers

EntryPass controller contains numerous delicate electronic circuits and components which can become damaged as a result of electrostatic discharge (ESD). Thus, prior to installation, please follow the instruction below:

- Observe precautions while handling the circuit board assembly by using proper grounding straps and handling precautions at all
- Visually ensure no onboard parts is broken, damage or contains burn mark
- Do not turn on the power supply until you completed all wiring and external add on devices installations



CAUTION

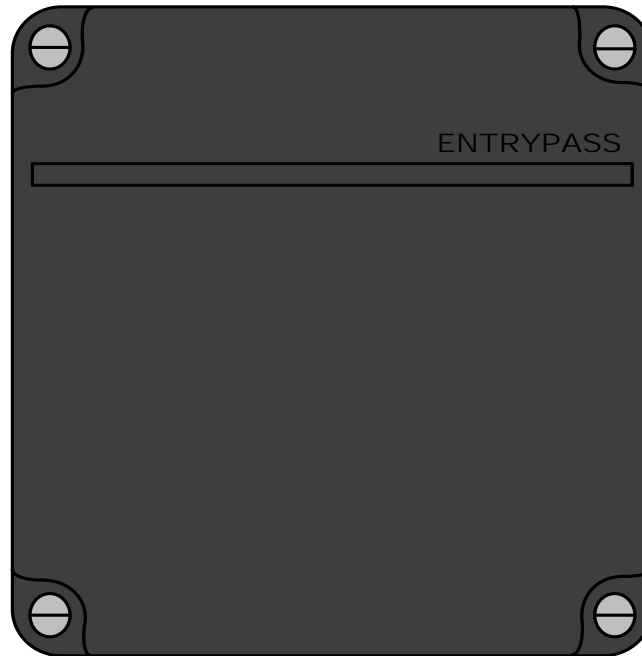
Battery may explode if mistreated. Do not recharge, disassemble or dispose of in fire. To prevent a risk of explosion do not pry the battery out with a metal or conductive tool.

Instances of Non-Warranty

- Damage due to natural disaster, accident or human cause.
- Damage as a result of violating the conditions recommended in the user manual
- Damage due to improper installation
- Damage due to use of uncertified components
- Damage due to use exceeding the permitted parameters



Power Supply Unit Specification

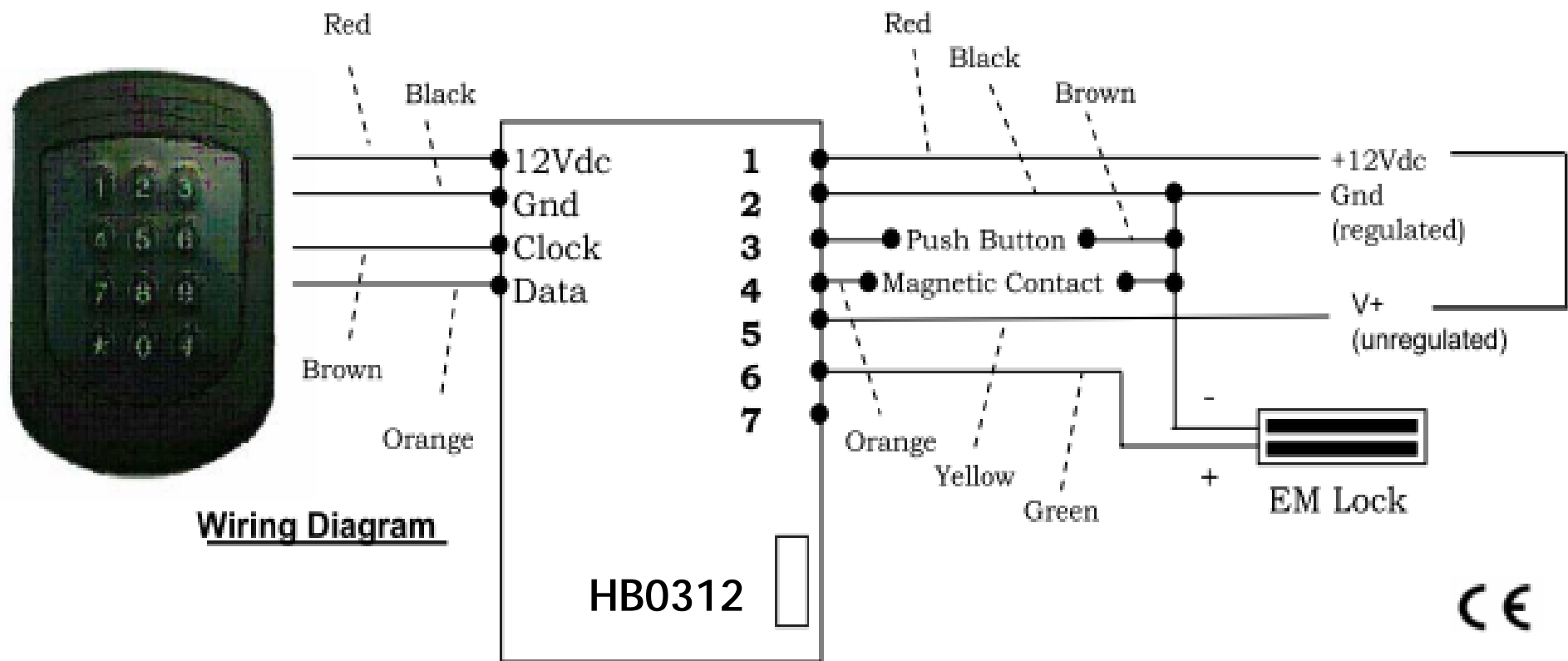


Power Supply Unit Specification:

- Switching Power Supply
- 12V DC
- 3 Amp (Minimum)



BA3028 Wiring Diagram



BA3028 Default Parameter Value and Jumper Setting

Default Parameter Value

Master Code	111111 (6 digits)
Local PIN	1234 (4 digits)
Force Entry Alarm	Disable
Door Left Open	Disable
Door Left Open Time	0 sec (00 = disable)
Lock Release Time	5 sec
Alarm Relay Active Time	10 sec (00 = non-stop alarm)
Door Sensor Status	NO
Maximum Card Number	1-16777215

BA3028 Jumper Setting

Jumper	Open	Close
JP1	Reader Mode	Access Control Mode
JP2	Wiegand 26/21 Bits	Wiegand 44/41 Bits
JP3	Wiegand 6 Bits	Wiegand 8 Bits

If you want to connect this reader to any Entrypass controllers, please remove jumper JP1



BA3028 Programming Mode

BA3028 (V2) QUICK PROGRAMMING GUIDE

(Default Master Code: 111111) 1000 Card Users

01. Cold Start (Reset)

- Off Power
- Press * and # (hold together)
- On power
- LED blinking & beeper sounded
- Release both keys

02. Clear All Memory Data

- Enter Master Code (6 digits)
- Press #
- Scan any user card
- Enter 99999999 + # (LED blinking & beeper sounded)
- Press # (to exit operation)

03. Install Card (First Enroll)

- Enter Master Code (6 digits)
- Press #
- Press 4 + #
- Scan card
- Press # x 2 (to exit operation)

04. Install Card (Following Enroll)

- Enter Master Code (6 digits)
- Press #
- Scan any user card
- Press 4 + #
- Scan new card + #
- Enter 4 digits Personal PIN + # (Skip this if not PIN)
- continuous scan new card if more than one card + #
- Press # (to exit operation)

05. Delete Card

- Enter Master Code (6 digits)
- Press #
- Scan any user card
- Press 6 + #
- Scan card to be deleted + #
- continuous scan card if more than one card + #
- Press # (to exit operation)



BA3028 Programming Mode

06. Delete Card (By Card Number)

- Enter Master Code (6 digits)
- Press #
- Scan any user card
- Press 6 + #
- Key in 8 digits card number + #
(continuous this step if more than one card. The leading number is 'zero' can be omitted)
- Press # x 2 (to exit operation)

07. Card Only Mode

- Enter Master Code (6 digits)
- Press #
- Scan any user card
- Press * + 1
- Press # x 2 (to exit operation)

08. Card + PIN Mode

- Enter Master Code (6 digits)
- Press #
- Scan any user card
- Press * + 2
- Press # x 2 (to exit operation)

09. Card or PIN Mode

- Enter Master Code (6 digits)
- Press #
- Scan any user card
- Press * + 3
- Press # x 2 (to exit operation)

10. Change Master Code

- Enter old Master Code (6 digits)
- Press #
- Scan any user card
- Press *
- Enter new Master Code (6 digits)
- Press # x 2 (to exit operation)

11. Change PIN

- Enter Master Code (6 digits)
- Press #
- Scan any user card
- Press *
- Enter new PIN number (4 digits)
- Press # x 2 (to exit operation)



BA3028 Programming Mode

12. Lock Release Time

- Enter Master Code (6 digits)
- Press #
- Scan any user card
- Press 1
- Enter [01-99 sec] (2 digits)
- Press # x 2 (to exit operation)

13. Door Left Open Alarm

- Enter Master Code (6 digits)
- Press #
- Scan any user card
- Press 881 (enable function)
- Press # x 2 (to exit operation)

14. Door Left Open Time

- Enter Master Code (6 digits)
- Press #
- Scan any user card
- Press 3
- Enter [01-99 sec] (2 digits)
- Press # x 2 (to exit operation)

15. Door Sensor Status (Def: NO)

- Enter Master Code (6 digits)
- Press #
- Scan any user card
- Press 861 (change to NC)
- Press # x 2 (to exit operation)

16. Force Entry Alarm

- Enter Master Code (6 digits)
- Press #
- Scan any user card
- Press 841
- Press # x 2 (to exit operation)

17. Alarm Relay Active Time

- Enter Master Code (6 digits)
- Press #
- Scan any user card
- Press 2
- Enter [01-99 sec] (2 digits, 00-non stop)
- Press # x 2 (to exit operation)



BA3028 Programming Mode

18. Install Card (By Card Number)

- Enter Master Code (6 digits)
- Press #
- Scan any user card
- Press 4 + #
- Key in 8 digits card number + # x 2
(continuous this step if more than one card. The leading number is 'zero' can be omitted)
- Press # x 2 (to exit operation)



Cabling Information

Communication	Data Signal	Max Distance	Description
Reader to HB0312	Wiegand	10m (30 ft)	22 AWG, 3 Pairs, Shielded
HB0312 to Electro-Magnetic Lock	Power	30m (100 ft)	18 AWG, 1 Pair
HB0312 to Push Button	Contact	30m (100 ft)	22AWG, 1 Pair
HB0312 to Door Sensor	Contact	30m (100 ft)	22AWG, 1 Pair

