



# LA.FR.TS2

Bracket for Face Terminals

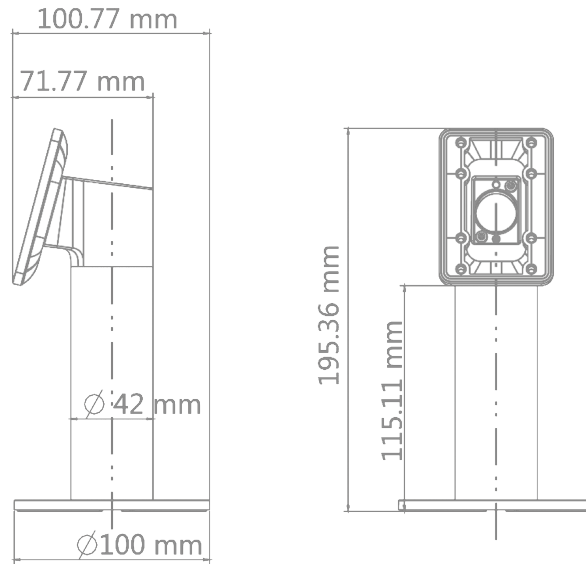
## Features

- Available for face recognition terminal which supports gang box installation on the speed gates and turnstiles

## Technical Specification

Dimensions	100mm x 100mm x 196mm (3.94" x 3.94" x 7.72")
Weight	1.1kg (2.4 lb)
Application environment	Indoor and outdoor
Material	AL-6061 Aluminium alloy

## Dimension



[www.entrypass.net](http://www.entrypass.net)

### Malaysia

No. 40, Jalan TPP 1/10, Taman Industri Puchong,  
Batu 12 Jalan Puchong, 47160 Puchong  
Selangor Darul Ehsan, Malaysia.  
Tel : +603 8068 1929  
Fax : +603 8062 6937  
Email : [info@entrypass.net](mailto:info@entrypass.net)

### Singapore

No. 1, UBI View, #03-03, Focus ONE Building,  
Singapore 408555.  
Tel : +65- 6841 7242  
Fax : +65- 6841 3937  
Email : [info@entrypass.net](mailto:info@entrypass.net)

### Indonesia

PT Brikom Entripas Indonesia  
Jl. Griya Utama, Komplek Puri Mutiara Blok BF No. 17,  
RT.1/RW.20, Sunter Agung, Tj. Priok, Kota Jkt Utara,  
Daerah Khusus Ibukota Jakarta 14350.  
Tel : +62 21 2937 6098  
Email : [info@entrypass.net](mailto:info@entrypass.net)