



# EPC-ED8010R

5MP IR Fixed Dome

## Features

- 1/2.7" progressive scan CMOS
- Max. 5MP(2880×1620) @25/30fps resolution
- True WDR, 3D DNR, ROI, HLC, BLC, Defog
- Support face, human, vehicle detection and capture
- Intelligent analysis: intrusion, single line crossing, double line crossing, loitering, wrong-way, illegal parking, smart motion detection and people counting
- 1/1 audio in/out, 1/1 alarm in/out
- Built-in SD card slot, up to 1TB Micro SD card
- Smart IR distance up to 30m
- IP67, IK10 protection

## Technical Specification

Image Sensor	1/2.7" Progressive Scan CMOS				
Max. Resolution	5MP (2880×1620)				
Electronic Shutter	Auto/Manual, 1/5 to 1/20,000s				
Min. illumination	Color: 0.01 Lux @ (F1.6, AGC ON), B/W: 0 Lux with IR				
Day & Night	IR cut filter				
Angle Adjustment	Pan: 0° to 360°, Tilt: 0° to 90°, Rotation: 0° to 360°				
Lens Type	Fixed focal				
Iris	Fixed Iris				
Focal Length	2.8 mm				
F Number	F2.0				
Angle of View	H: 105.5°, V: 56.3°				
DORI Distance	Lens	Detect	Observe	Recognize	Identify
	2.8 mm	68 m (223.1 ft)	27.2 m (89.2 ft)	13.6 m (44.6 ft)	6.8 m (22.3 ft)

# EPC-ED8010R

5MP IR Fixed Dome



## Technical Specification

Illuminator Type	IR
Illumination Distance	Up to 30 m (98.4 ft)
Illumination On/Off Control	Auto/Manual
Streaming Capability	3 Streams
Stream/Frame Rate	Stream1: 2880×1620, 2560×1440, 2304×1296, 1920×1080, 1280×720 @ 25/30fps Stream2: D1, VGA, CIF @ 25/30fps Stream3: VGA, CIF, QVGA @25/30fps
Bit Rate Control	CBR/VBR
Bit Rate	Stream1: 200kbps to 12Mbps Stream2: 100kbps to 6Mbps Stream3: 100kbps to 3Mbps
Region of Interest	Off/On (8 areas, Rectangle)
Smart Encode	Support
Image Adjustment	Brightness, Sharpness, Contrast, Saturation adjustable
Aisle Mode	Support
Mirror	Support
White Balance	Auto/Manual
Day/Night Setting	Auto, Day, Night, Time
Smart IR	Support
Noise Reduction	2D/3D DNR
Image Enhancement	HLC, BLC, Defog, WDR
Wide Dynamic Range	True WDR
Alarm Events	Alarm record, Alarm output, FTP upload, SMTP upload

# EPC-ED8010R

5MP IR Fixed Dome



## Technical Specification

Alarm Triggers	IVS, Motion detection, Alarm input, Network alarm, Disk alarm
Privacy Masking	4 areas
Multi-Object Detection	Supports face, human, vehicle detection.
Intelligent Analytics	Intrusion, Single line crossing, Double line crossing, Loitering, Wrong-way, Illegal parking and Smart motion detection. Support alarm triggering by specified target types (human and vehicle)
People Counting	Support
Protocols	IPv4/IPv6, RTSP/ RTCP/RTP, TCP/UDP, HTTPS, DHCP, DNS, DDNS, PPPoE, UPnP, ICMP IGMP, FTP, NTP, SMTP, 802.1x, SNMP, Multicast
Interoperability	ONVIF (Profile S/T/G/M), SDK, CGI
User/Host Level	IP address filter, encrypted HTTPS, Illegal login lock, IEEE 802.1x
Web Viewer	<IE11, Chrome, Firefox, Microsoft Edge
Language	English, Chinese, Polish, Italian, Portuguese, Spanish, Russian, French, Czech, Hungarian. Default: English
Network Interface	1 Ethernet (10/100 Base-T) RJ-45 Connector
Audio Interface	1ch Input, 1ch Output
Alarm Interface	1ch Input, 1ch Output
Reset Button	Support
SD Card Slot	Built-in, up to 1TB
Power Supply	DC12V (-15% to +25%)/PoE (IEEE 802.3af)
Power Consumption	2W (IR OFF), Max 4.5W (IR ON)

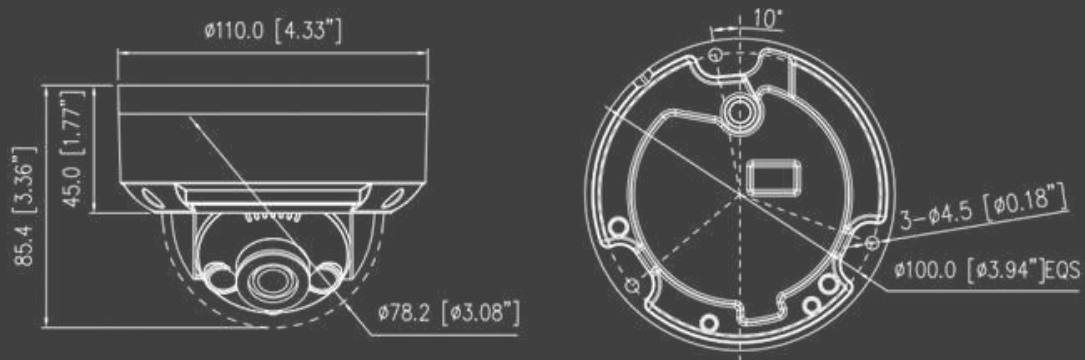
# EPC-ED8010R

5MP IR Fixed Dome

## Technical Specification

Operating Temperature	-30°C to 60°C (-22°F to 140°F )
Operating Humidity	Less than 90% RH
Ingress Protection	IP67, IK10
Certifications	CE-EMC (EN 55032:2015+A1:2020, EN IEC 61000-6-3:2021, EN IEC 61000-3-2:2019+A1:2021 EN 61000-3-3:2013+A2:2021, EN 55035:2017+A11:2020, EN 50130-4:2011+A1:2014) FCC (FCC 47 CFR 15, Subpart B, ANSI C63.4-2014)
Material	Aluminum alloy body, bubble: plastic
Net Weight	0.48 kg (1.06 lb)
Dimensions	110mm (L) × 94mm (H)

## Dimension



# EPC-ED8010R

5MP IR Fixed Dome

## Accessories - Optional



EP-CBK657 - Junction Box



EP-CBK101 - Pole Mount



EP-CBK202 - Pendant Cap



EP-CBK501 - Wall Mount



EP-CBK502 - Wall Mount



EP-CBK402 - Pendant Mount



EP-CBK102 - Corner Mount

### Ordering Information

EPC-ED8010R	Entrypass 5MP IR Fixed Dome
EP-CBK657	Junction Box
EP-CBK101	Pole Mount
EP-CBK202	Pendant Cap
EP-CBK501	Wall Mount
EP-CBK502	Wall Mount
EP-CBK402	Pendant Mount
EP-CBK102	Corner Mount



[www.entrypass.net](http://www.entrypass.net)

#### Malaysia

No. 40, Jalan TPP 1/10, Taman Industri Puchong,  
Batu 12 Jalan Puchong, 47160 Puchong  
Selangor Darul Ehsan, Malaysia.  
Tel : +603 8068 1929  
Fax : +603 8062 6937  
Email : [info@entrypass.net](mailto:info@entrypass.net)

#### Singapore

No. 1, UBI View, #03-03, Focus ONE Building,  
Singapore 408555.  
Tel : +65- 6841 7242  
Fax : +65- 6841 3937  
Email : [info@entrypass.net](mailto:info@entrypass.net)

#### Indonesia

PT Brikom Entripas Indonesia  
Jl. Griya Utama, Komplek Puri Mutiara Blok BF No. 17,  
RT.1/RW.20, Sunter Agung, Tj. Priok, Kota Jkt Utara,  
Daerah Khusus Ibukota Jakarta 14350.  
Tel : +62 21 2937 6098  
Email : [info@entrypass.net](mailto:info@entrypass.net)