



# EPC-PF9010R

360° 12MP Fisheye

## Features

- 1/1.7" 12MP STARVIST™ CMOS
- 25fps @ 12MP (4000×3000)
- Multi Dewarping modes and front end image correction
- Support human and vehicle detection
- Intelligent analysis: intrusion, single line crossing, double line crossing, loitering, wrong-way, people counting, smart motion detection and heat map
- DWDR, 3D DNR, ROI, Defog, HLC
- Built-in microphone
- Smart IR distance up to 15 m
- IP66

## Technical Specification

Image Sensor	1/1.7" Progressive Scan CMOS			
Max. Resolution	4000(H) × 3000(V)			
Electronic Shutter	Auto/Manual, 1/5 to 1/20,000s			
Min. illumination	Color: 0.01 Lux @ (F2.4, AGC ON) , B/W: 0 Lux with IR			
Day & Night	Auto (ICR)			
IR Distance	Up to 15 m (49.2 ft.)			
IR On/Off Control	Auto/Manual			
Lens Type	Fixed lens			
Iris	Fixed Iris			
Focal Length	1.8 mm			
F Number	F2.4			
Angle of View	180°× 180°			
DORI Distance	Detect	Observe	Recognize	Identify
	34.5m (113.2ft)	13.8m (45.3ft)	6.9m (22.6ft)	3.45m (11.3ft)

# EPC-PF9010R

360° 12MP Fisheye



## Technical Specification

Streaming Capability	2 Streams
Main Stream	One-Channel: 25fps Fisheye View: 4000×3000, 3000×3000, 2560×2560, 1280×960 180 Panorama View: 3000×752, 2560×640, 1920×480, 1280×960 360 Panorama View: 4000×2000, 2560×1280, 1920×960, 1280×960 4PTZ View: 4000×3000, 2048×1536, 1920×1440, 1280×960 Fisheye + 3PTZ View: 4000×3000, 2048×1536, 1920×1440, 1280×960 Multi-Channel: 1520×1520, 960×960, 720×720, 640×640 @25fps
Sub Stream	One-Channel: 25fps Fisheye View: D1, 640×640, 480×480 180 Panorama View: 832×208, D1 360 Panorama View: 640×320, D1 4PTZ View: 640×480, D1, 320×240 Fisheye + 3PTZ View: 640×480, D1, 320×240 Multi-Channel: D1, 640×640 @25fps
Bit Rate Control	CBR/VBR
Bit Rate	One-Channel: Stream1: 500Kbps to 16Mbps Stream2: 100Kbps to 6Mbps Multi-Channel: Stream1: 500Kbps to 12Mbps Stream2: 100Kbps to 6Mbps
Smart Encoder	Support
Region of Interest (ROI)	Support (Single-channel and fisheye mode)
Compression	G.711A, G711U, RAW_PCM
Bit Rate	64Kbps (G.711), 128Kbps (RAW_PCM)
Image Adjustment	Brightness, Sharpness, Contrast, Saturation adjustable
White Balance	Auto/Manual

# EPC-PF9010R

360° 12MP Fisheye

## Technical Specification

Day/Night Setting	Auto, Day, Night, Time
Smart IR	Support
Noise Reduction	2D/3D DNR
Image Enhancement	HLC, BLC, Defog
Wide Dynamic Range	DWDR
S/N Ratio	55dB
Motion Detection	Support
Privacy Masking	Support (Single-channel and fisheye mode)
Multi-Object Detection	Supports human and vehicle detection
Intelligent Analysis	Intrusion, Single line crossing, Double line crossing, Loitering, Wrong-way, Smart motion detection. (Support available only in single-channel mode) Support alarm triggering by specified target types (human and vehicle).
People Counting	Support
Heat Map	Support
Mount Type	Ceiling Mount, Wall Mount, Table Mount
Decoding Mode	On-board Dewarping/Client-side Dewarping
Display Mode	12 display modes in total Client-side Dewarping: fisheye view, fisheye view + 3PTZ, fisheye view + 8PTZ, 4PTZ, cylinder, 180 panorama view, 360 panorama view, 360 panorama + PTZ, 360 panorama + 3PTZ, 360 panorama + 6PTZ, 360 panorama + 8PTZ, half sphere On-board Dewarping: Fisheye view, 360 panorama view, 4PTZ, 180 panorama view, fisheye + 3PTZ
Protocols	IPv4/IPv6, TCP/IP, HTTP, HTTPS, UPnP, UDP/IP, RTSP/RTCP/RTP, IGMP/Multicast, SMTP, DHCP, NTP, DNS, QoS, SNMP, 802.1x, UDP, ICMP, ARP, TLS
Interoperability	ONVIF, SDK
Streaming Method	Multicast
Max. User Access	10 Users

# EPC-PF9010R

360° 12MP Fisheye

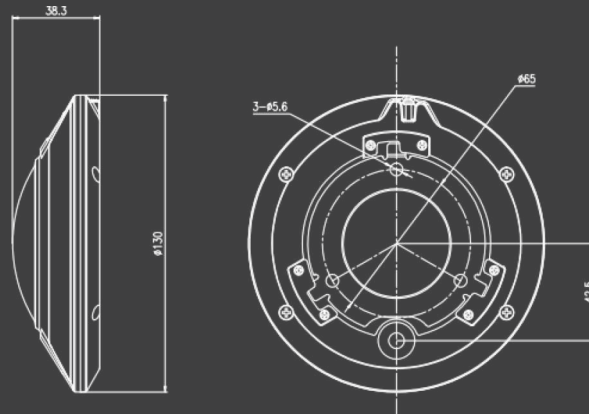
## Technical Specification

Web Viewer	<IE11, Chrome, Firefox
Language	English, Chinese, Polish, Italian, Portuguese, Spanish, Russian, French, Czech, Hungarian. Default: English
Network Interface	1 Ethernet (10/100 Base-T) RJ-45 Connector
Built-in Microphone	Support
Audio Interface	1ch Input, 1ch Output
Alarm Interface	1ch Input, 1ch Output
Reset Button	Support
SD Card Slot	Built-in, up to 1TB
Power Supply	DC12V (-15% to +20%)/PoE (IEEE 802.3af)
Power Consumption	Max 9 W
Operating Temperature	-30°C to 60°C (-22°F to 140°F )
Operating Humidity	Less than 90% RH
Ingress Protection	IP66
Certifications	CE/FCC
Casing	Metal
Net Weight	0.5 kg (1.10 lb)
Dimensions	130mm (L) × 38.3mm (H)

# EPC-PF9010R

360° 12MP Fisheye

## Dimension



## Accessories - Optional



EP-CBK645E - Junction Box



EP-CBK101 - Pole Mount



EP-CBK202 - Pendant Cap



EP-CBK501 - Wall Mount



EP-CBK502 - Wall Mount



EP-CBK402 - Pendant Mount



EP-CBK102 - Corner Mount

## Ordering Information

EPC-PF9010R	Entrypass 360° 12MP Fisheye
EP-CBK645E	Junction Box
EP-CBK101	Pole Mount
EP-CBK202	Pendant Cap
EP-CBK501	Wall Mount
EP-CBK502	Wall Mount
EP-CBK402	Pendant Mount
EP-CBK102	Corner Mount



[www.entrypass.net](http://www.entrypass.net)

### Malaysia

No. 40, Jalan TPP 1/10, Taman Industri Puchong,  
Batu 12 Jalan Puchong, 47160 Puchong  
Selangor Darul Ehsan, Malaysia.  
Tel : +603 8068 1929  
Fax : +603 8062 6937  
Email : [info@entrypass.net](mailto:info@entrypass.net)

### Singapore

No. 1, UBI View, #03-03, Focus ONE Building,  
Singapore 408555.  
Tel : +65- 6841 7242  
Fax : +65- 6841 3937  
Email : [info@entrypass.net](mailto:info@entrypass.net)

### Indonesia

PT Brikom Entrypas Indonesia  
Jl. Griya Utama, Komplek Puri Mutiara Blok BF No. 17,  
RT.1/RW.20, Sunter Agung, Tj. Priok, Kota Jkt Utara,  
Daerah Khusus Ibukota Jakarta 14350.  
Tel : +62 21 2937 6098  
Email : [info@entrypass.net](mailto:info@entrypass.net)