



EPC-PP8150R

5MP 15x Network PTZ Camera

Features

- 1/2.8" STARVIS™ CMOS
- Max. 25/30 fps@2592 × 1944
- 15x optical zoom, 16x digital zoom
- Supports detection and capture of faces, humans, and vehicles, along with smoke and flame detection.
- Supports intelligent analysis for intrusion, single / double line crossing, loitering, wrong-way detection, illegal parking, smart motion detection, and people counting
- Auto tracking and perimeter protection based on deep learning
- True WDR, 3D DNR, ICR, Defog and DIS
- IP66

Technical Specification

Image Sensor	1/2.8" STARVIS™ CMOS
Max. Resolution	2592(H) × 1944(V)
Electronic Shutter	Auto/Manual, 1/5 to 1/20,000s
Min. illumination	Color: 0.01 Lux @ (F1.6, AGC ON), B/W: 0.001 Lux @ (F1.6, AGC ON), 0 Lux with IR on
Day & Night	Auto (ICR)
Pan/Tilt Range	Pan: 0° to 360° endless, Tilt: 0° to +90° (auto-flip)
Focus Control	Auto/Manual/Semi-automatic
Iris Control	Auto/Manual
Focal Length	5.3 to 79.5 mm
Max. Aperture	F1.6 to F2.8
Angle of View	H: 56.2° to 4.5°, V: 42.3° to 3.3°
Optical Zoom	15x
Digital Zoom	16x
Detection	104 to 1,560 m (341.21 to 5,118.11 ft)
Observe	41.6 to 624 m (136.48 to 2,047.24 ft)

EPC-PP8150R

5MP 15x Network PTZ Camera



Technical Specification

Recognize	20.8 to 312 m (68.24 to 1,023.62 ft)
Identify	10.4 to 156 m (34.12 to 511.81 ft)
Wide Dynamic Range	True WDR
People Counting	Support
Smart Tracking	Support
Smoke and Flame Detection	Support
Multi-Object Detection	Support face, human, vehicle detection and capture
Intelligent Analytics	Intrusion, Single line crossing, Double line crossing, Loitering, Wrong-way detection, Illegal parking, and Smart motion detection (support the accurate detection of vehicle and human)
Pan Speed	Pan speed: 0.1° to 200°/s, preset speed: 200°/s
Tilt Speed	Tilt speed: 0.1° to 160°/s, preset speed: 160°/s
Presets	300
Patrol Scan	6 Track, 12 Scan, 12 Patrol (up to 32 presets each patrol)
Power-Off Memory	Support
3D Positioning	Support
PTZ Status Display	Support
Idle Motion	The time can be set (1-240 minutes), and functions such as preset positions, patrols, scans, and tracks can be run
Streaming Capability	3 Streams
Observe	Stream1: 2592×1944, 2592×1520, 1920×1080, 1280×720 @25/30fps Stream2: D1, VGA, CIF @25/30fps Stream3: VGA, CIF, QVGA @25/30fps

EPC-PP8150R

5MP 15x Network PTZ Camera



Technical Specification

Smart Encoder	Support
Region of Interest (ROI)	Support
Audio Compression	G.711 A-law, G.711 μ -law, RAW_PCM
Audio Bit Rate	64 kbps (G.711), 128 kbps (RAW_PCM)
Image Adjustment	Brightness, Sharpness, Contrast, Saturation adjustable
Mirror	Support
Exposure Mode	Auto/Manual
White Balance	Auto/Manual
Day/Night Setting	Auto, Day, Night, Time
Noise Reduction	2D/3D DNR
Image Enhancement	HLC, BLC, Defog, WDR, Anti-shake
Privacy Masking	Support 40 zones, mask color configurable
Protocols	IPv4/IPv6, HTTP/HTTPS, DNS, DDNS, DHCP, PPPoE, RTSP/ RTCP/RTP, TCP/UDP, NTP, ARP, UPnP, FTP, SMTP, QoS, ICMP, IGMP, SMTP, 802.1x, SNMP, Multicast
Interoperability	ONVIF (Profile S/T/G/M), SDK, CGI
User/Host Level	Up to 10 users, 3 levels: Administrator, Operator, Media user
Web Viewer	<IE11, Chrome, Firefox, Microsoft Edge
Security	IP address filter, encrypted HTTPS, Illegal login lock, IEEE 802.1x
Network Interface	1 Ethernet (10/100 Base-T) RJ-45 Connector
SD Card Slot	Built-in, up to 256GB
Bit Rate	Stream1: 200 kbps to 12 Mbps Stream2: 100 kbps to 6 Mbps Stream3: 100 kbps to 3 Mbps
Bit Rate Control	CBR/VBR

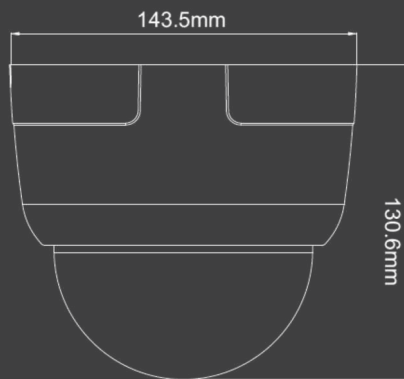
EPC-PP8150R

5MP 15x Network PTZ Camera

Technical Specification

Reset Button	Support
Language	English, Chinese, Polish, Italian, Portuguese, Spanish, Russian, French, Czech, Hungarian. Default: English
Alarm Triggers	IVS, Motion detection, Network alarm, Disk alarm
Alarm Events	Alarm record, FTP upload, SMTP upload
Power Supply	12VDC/PoE (802.3af)
Power Consumption	Less than 12W
Operating Temperature	-20°C to 50°C (-4°F to 122°F)
Operating Humidity	Less than 90% RH
Ingress Protection	IP66
Certifications	CE-EMC (EN 55032:2015+A1:2020, EN IEC 61000-6-3:2021, EN IEC 61000-3-2:2019+A1:2021, EN 61000-3-3:2013+A2:2021, EN 55035:2017+A11:2020, EN 50130-4:2011+A1:2014) CE-LVD (EN 62368-1:2014+A11:2017) FCC (FCC 47 CFR 15, Subpart B, ANSI C63.4-2014)
Material	Aluminum alloy body, bubble: plastic
Net Weight	1.15 kg (2.54 lb)
Dimensions	143.5mm (L) × 130.6mm (H)

Dimension



EPC-PP8150R

5MP 15x Network PTZ Camera

Accessories - Optional



EP-BK357 - Wall Bracket



EP-BK356 - Ceiling Bracket



EP-BK377 - Corner Mount



EP-BK378 - Pole Mount

Ordering Information

EPC- PP8150R	Entrypass 5MP 15x Network PTZ Camera
EP-BK357	Wall Bracket
EP-BK356	Ceiling Bracket
EP-BK377	Corner Mount
EP-BK378	Pole Mount



www.entrypass.net

Malaysia

No. 40, Jalan TPP 1/10, Taman Industri Puchong,
Batu 12 Jalan Puchong, 47160 Puchong
Selangor Darul Ehsan, Malaysia.
Tel : +603 8068 1929
Fax : +603 8062 6937
Email : info@entrypass.net

Singapore

No. 1, UBI View, #03-03, Focus ONE Building,
Singapore 408555.
Tel : +65- 6841 7242
Fax : +65- 6841 3937
Email : info@entrypass.net

Indonesia

PT Brikom Entrypas Indonesia
Jl. Griya Utama, Komplek Puri Mutiara Blok BF No. 17,
RT.1/RW.20, Sunter Agung, Tj. Priok, Kota Jkt Utara,
Daerah Khusus Ibukota Jakarta 14350.
Tel : +62 21 2937 6098
Email : info@entrypass.net