

EPC-SD8080R

5MP IR Strobe Light and Audible Warning Motorized Turret

Features

- 1/2.8" progressive scan CMOS
- Max. 5MP (2592×1944) @25/30 fps resolution
- True WDR, 3D DNR, ROI, HLC, BLC, Defog
- Support face, human, vehicle detection and capture
- Intelligent analytics: intrusion, single line crossing, double line crossing, loitering, wrong-way, people counting
- 1/1 audio in/out, 1/1 alarm in/out
- Built-in microphone and speaker
- Built-in SD card slot
- Supports strobe-light and audible alarms linkage to warn intruders off
- Smart IR distance up to 40 m
- IP66

Technical Specification

Image Sensor	1/2.8" Progressive Scan CMOS				
Max. Resolution	5MP (2592 × 1944)				
Electronic Shutter	Auto/Manual, 1/5 to 1/20,000s				
Min. illumination	Color: 0.03 Lux @ (F1.6, AGC ON), B/W: 0 Lux @ (IR LED ON)				
Day & Night	IR cut filter				
Angle Adjustment	Pan: 0° to 355°, Tilt: 0° to 80°, Rotation: 0° to 360°				
Lens Type	Motorized focus				
Iris	Fixed Iris				
Focal Length	2.7 to 13.5 mm				
F Number	F1.6				
Angle of View	H: 93.8° to 26.9°, V: 68.3° to 20.1°				
DORI Distance	Lens	Detect	Observe	Recognize	Identify
	Wide	72 m (236.2 ft)	28.8 m (94.5 ft)	14.4 m (47.2 ft)	7.2 m (23.6 ft)
	Tele	216 m (708.6 ft)	86.4 m (283.5 ft)	43.2 m (141.7 ft)	21.6 m (70.9 ft)

EPC-SD8080R

5MP IR Strobe Light and Audible Warning
Motorized Turret



Technical Specification

Illuminator Type	IR
Illumination Distance	Up to 40 m (131.2 ft)
Illumination On/Off Control	Auto/Manual
Streaming Capability	3 Streams
Stream/Frame Rate	Stream1: 2880×1620, 2560×1440, 2304×1296, 1920×1080, 1280×720 @ 25/30fps Stream2: D1, VGA, CIF @ 25/30fps Stream3: VGA, CIF, QVGA @25/30fps
Bit Rate Control	CBR/VBR
Bit Rate	Stream1: 200kbps to 12Mbps Stream2: 100kbps to 6Mbps Stream3: 100kbps to 3Mbps
Region of Interest	Off/On (8 areas, Rectangle)
Smart Encode	Support
Bit Rate	64Kbps (G.711), 128Kps (RAW_PCM)
Image Adjustment	Brightness, Sharpness, Contrast, Saturation adjustable
Aisle Mode	Support
Mirror	Support
White Balance	Auto/Manual
Day/Night Setting	Auto, Day, Night, Time
Smart IR	Support
Noise Reduction	2D/3D DNR
Image Enhancement	HLC, BLC, Defog
Wide Dynamic Range	True WDR
S/N Ratio	55dB
Compression	G.711, RAW_PCM

EPC-SD8080R

5MP IR Strobe Light and Audible Warning Motorized Turret

Technical Specification

Motion Detection	Support
Privacy Masking	4 areas
Multi-Object Detection	Supports face, human, vehicle detection and capture.
Intelligent Analytics	Intrusion, Single line crossing, Double line crossing, Loitering, Wrong-way, Illegal parking and Smart motion detection. Support alarm triggering by specified target types (human and vehicle)
People Counting	Support
Smart Alarm	When an alarm is triggered, active strobe light and audible to warn intruders off
Protocols	IPv4/IPv6, RTSP/ RTCP/RTP, TCP/UDP, HTTPS, DHCP, DNS, DDNS, PPPoE, UPnP, ICMP IGMP, FTP, NTP, SMTP, 802.1x, SNMP
Interoperability	ONVIF, SDK, CGI
Streaming Method	Multicast
Max. User Access	10 Users
Web Viewer	<IE11, Chrome, Firefox, Microsoft Edge
Language	English, Chinese, Polish, Italian, Portuguese, Spanish, Russian, French, Czech, Hungarian. Default: English
Network Interface	1 Ethernet (10/100 Base-T) RJ-45 Connector
Built-in Microphone	Support
Built-in Speaker	Support
Audio Interface	1ch Input, 1ch Output
Alarm Interface	1ch Input, 1ch Output
Reset Button	Support
SD Card Slot	Built-in, up to 256GB
Power Supply	DC12V (-15% to +25%)/PoE (IEEE 802.3af)
Power Consumption	Max 10.5 W

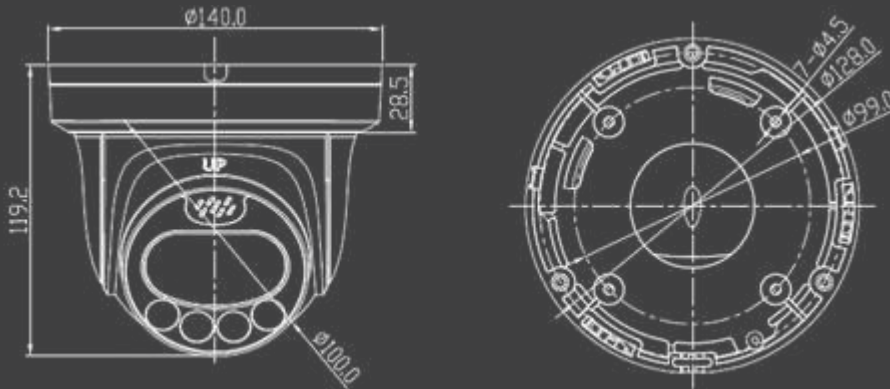
EPC-SD8080R

5MP IR Strobe Light and Audible Warning Motorized Turret

Technical Specification

Operating Temperature	-40°C - 55°C (-40°F - 131°F)
Operating Humidity	Less than 90% RH
Ingress Protection	IP66
Certifications	CE/FCC
Casing	Metal + Plastic
Net Weight	0.9 kg (1.98 lb)
Dimensions	140mm (L) × 119.2mm (H)

Dimension



EPC-SD8080R

5MP IR Strobe Light and Audible Warning Motorized Turret

Accessories - Optional



EP-CBK645D - Junction Box



EP-CBK101 - Pole Mount



EP-CBK202 - Pendant Cap



EP-CBK501 - Wall Mount



EP-CBK502 - Wall Mount



EP-CBK402 - Pendant Mount



EP-CBK102 - Corner Mount

Ordering Information

EPC-SD8080R	Entrypass 5MP IR Strobe Light and Audible Warning Motorized Turret
EP-CBK645D	Junction Box
EP-CBK101	Pole Mount
EP-CBK202	Pendant Cap
EP-CBK501	Wall Mount
EP-CBK502	Wall Mount
EP-CBK402	Pendant Mount



www.entrypass.net

Malaysia

No. 40, Jalan TPP 1/10, Taman Industri Puchong,
Batu 12 Jalan Puchong, 47160 Puchong
Selangor Darul Ehsan, Malaysia.
Tel : +603 8068 1929
Fax : +603 8062 6937
Email : info@entrypass.net

Singapore

No. 1, UBI View, #03-03, Focus ONE Building,
Singapore 408555.
Tel : +65- 6841 7242
Fax : +65- 6841 3937
Email : info@entrypass.net

Indonesia

PT Brikom Entrypas Indonesia
Jl. Griya Utama, Komplek Puri Mutiara Blok BF No. 17,
RT.1/RW.20, Sunter Agung, Tj. Priok, Kota Jkt Utara,
Daerah Khusus Ibukota Jakarta 14350.
Tel : +62 21 2937 6098
Email : info@entrypass.net